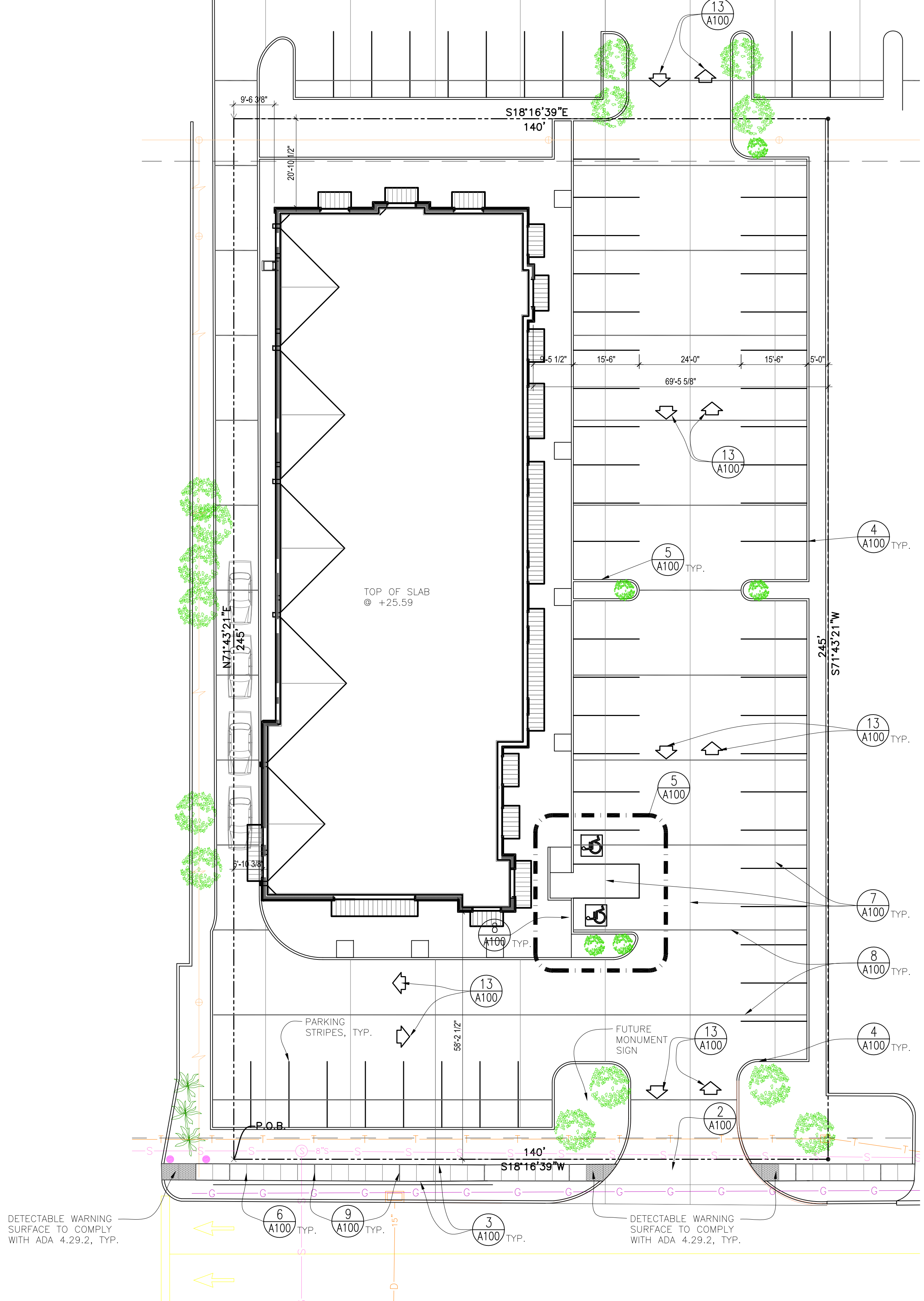
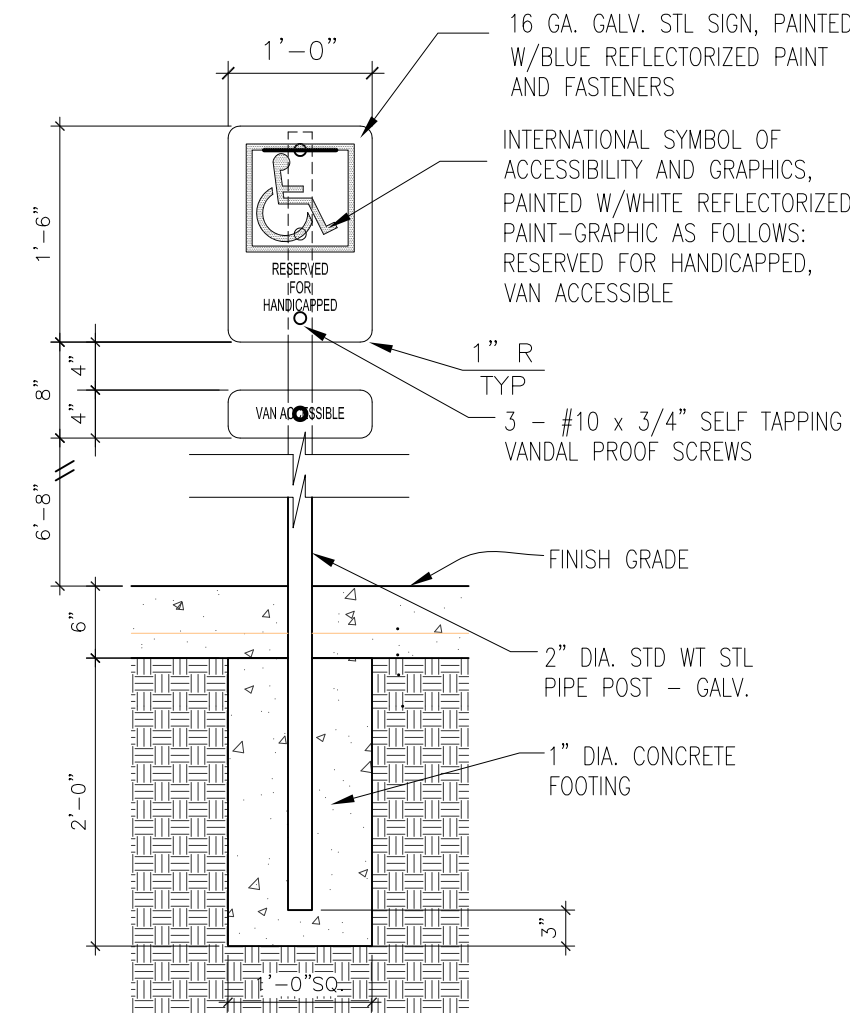
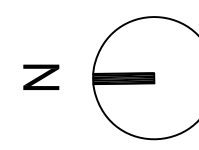


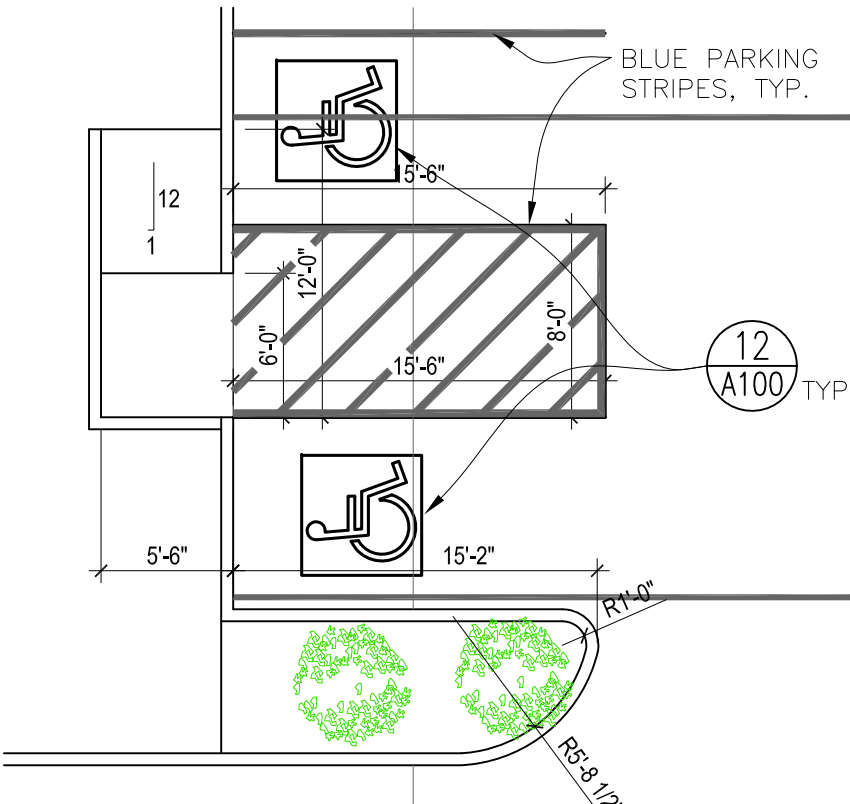
PROPERTY OF NEW ORLEANS PUBLIC BELT RAILROAD



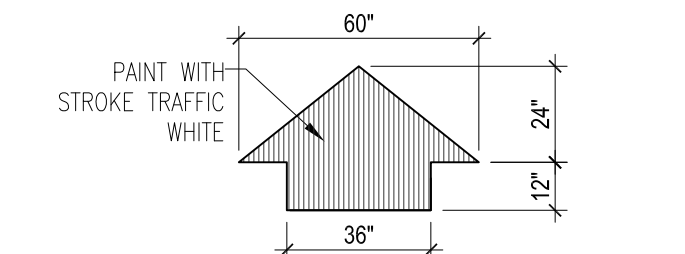
1 SITE PLAN
A100 SCALE: 1/16" = 1'-0"



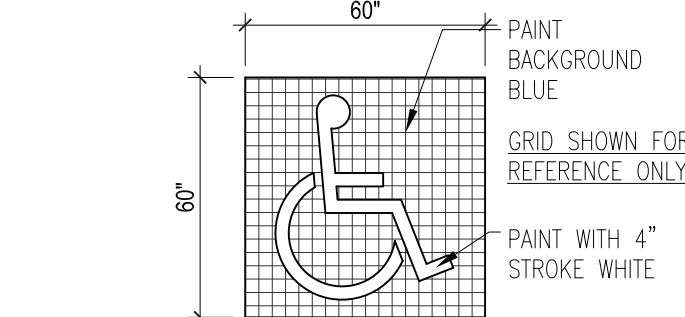
10 HANDICAPPED SIGN
A100 SCALE: 3/4" = 1'-0"



11 ENLARGED PLAN - HC RAMP
A100 SCALE: 1/8" = 1'-0"

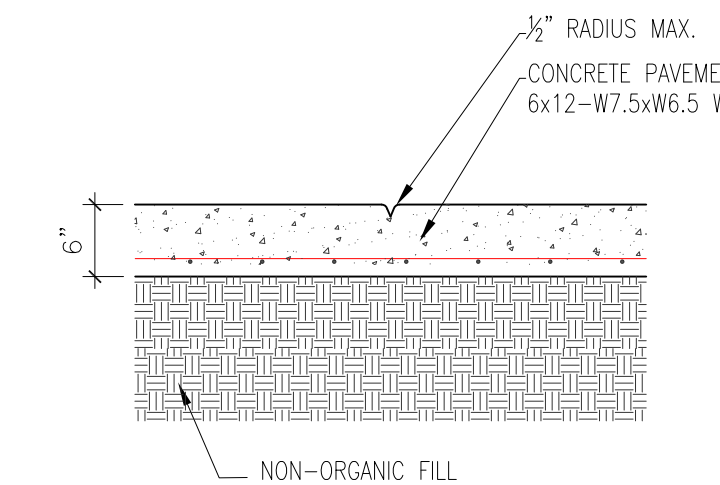


12 HANDICAP SYMBOL
A100 SCALE: 1/4" = 1'-0"

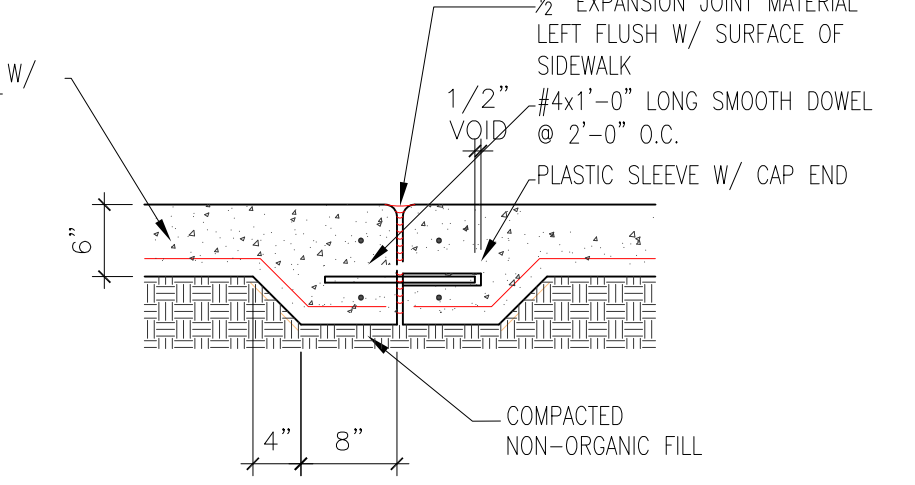


13 DIRECTIONAL ARROW
A100 SCALE: 1/4" = 1'-0"

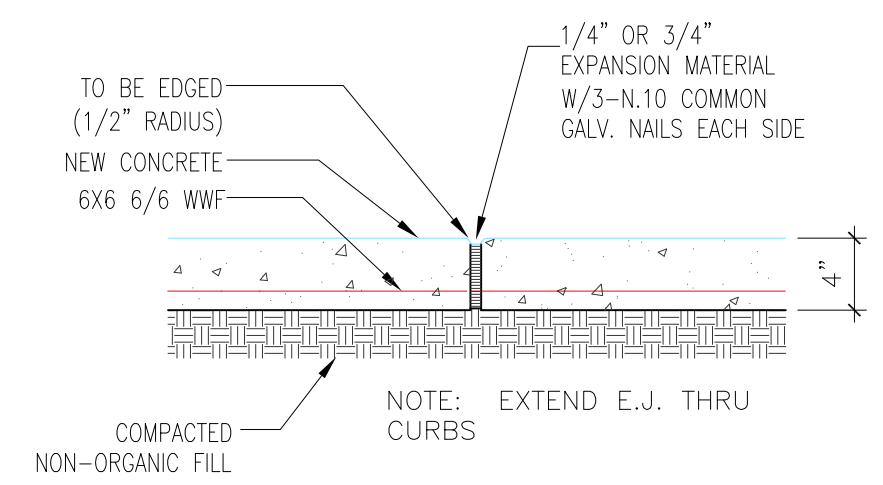
NOTES:
1. PROVIDE JOINTS IN CURB TO MATCH JOINTS IN PAVEMENT.
2. PROVIDE CHAIRS TO SUPPORT WWF AT A RATE OF ONE PER 16 SQUARE FEET OF WIRE AT A MINIMUM.
3. ALL JOINTS ARE @ 20'-0" MAX O.C.



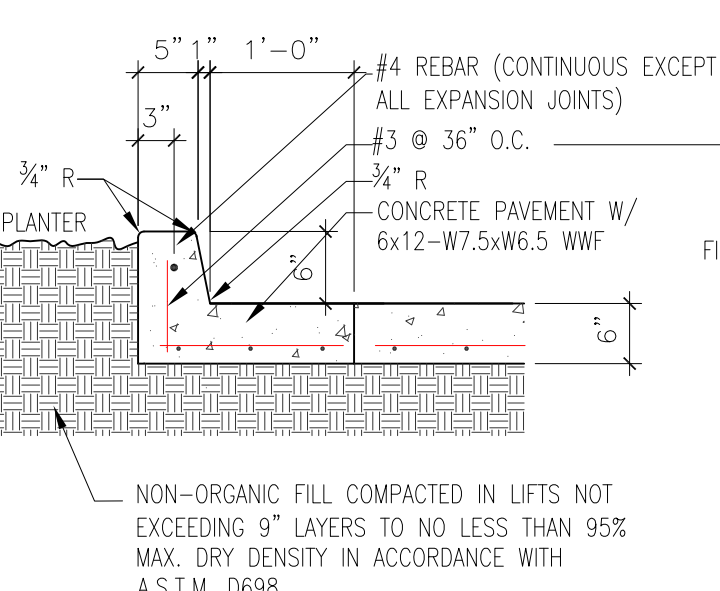
7 DRIVE CONT. JT. DETAIL
A100 SCALE: 3/4" = 1'-0"



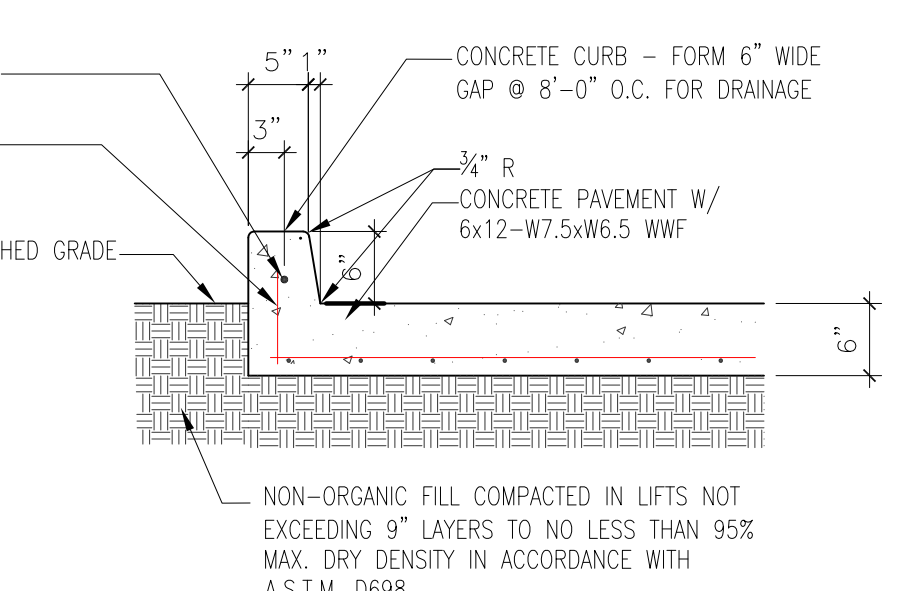
8 DRIVE EXP. JT. DETAIL
A100 SCALE: 3/4" = 1'-0"



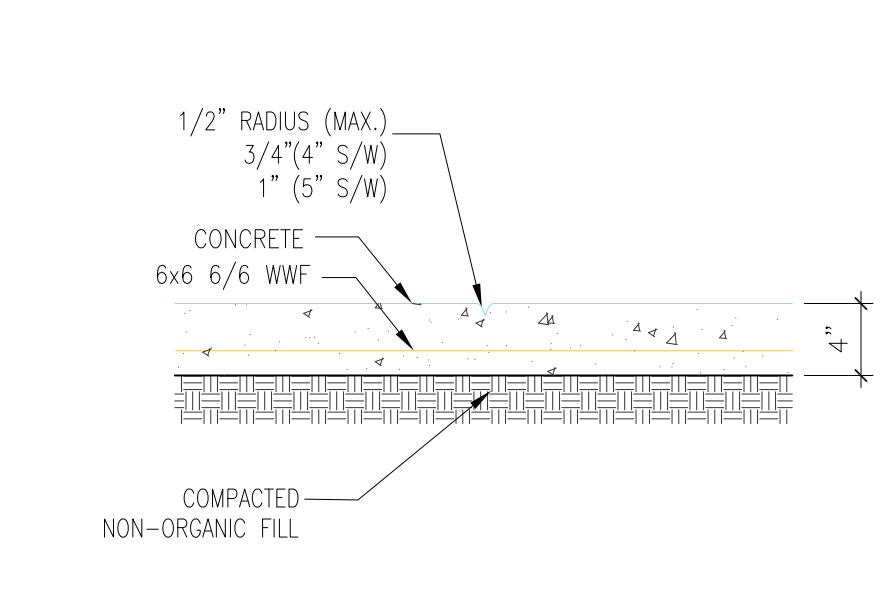
9 SIDEWALK EXP. JT. DETAIL
A100 SCALE: 3/4" = 1'-0"



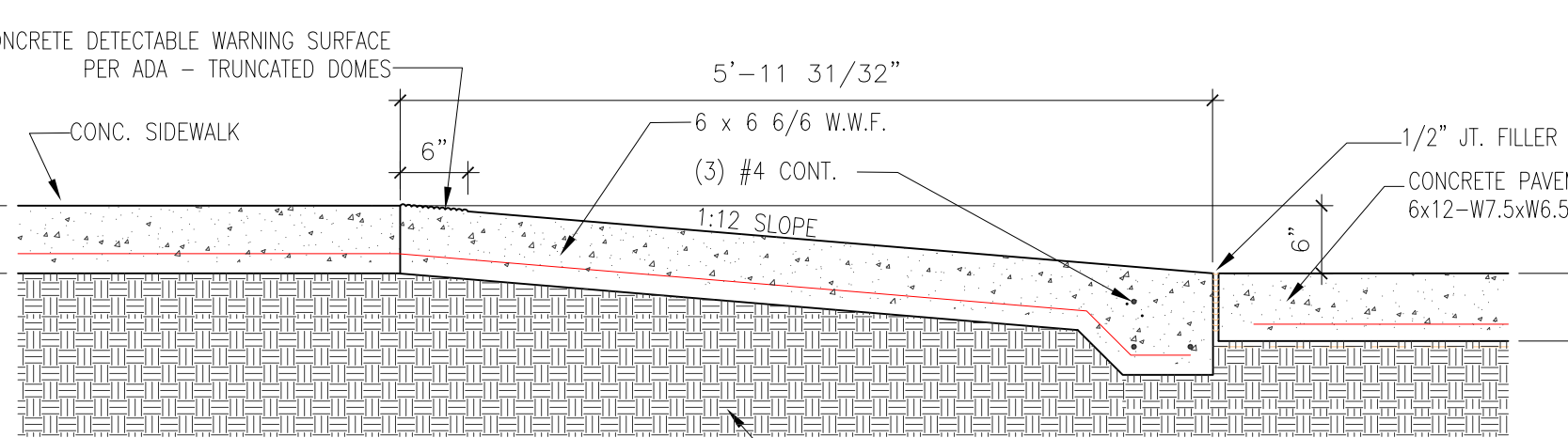
4 TYP. CURB
A100 SCALE: 3/4" = 1'-0"



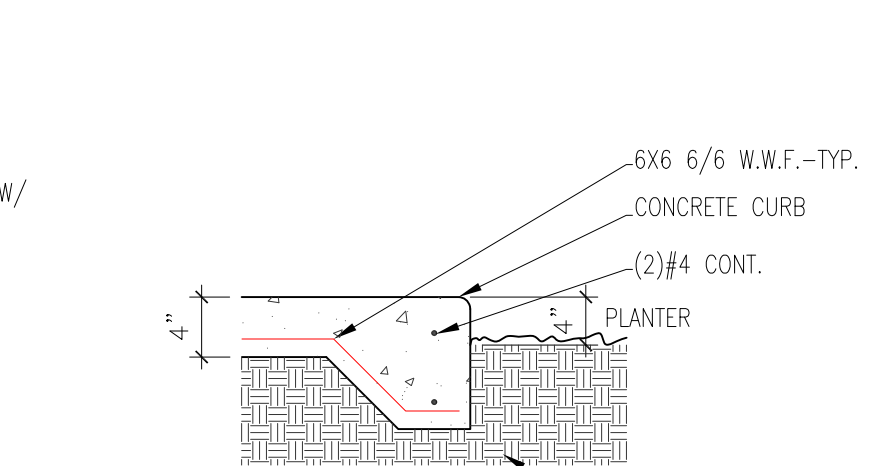
5 CONCRETE CURB DETAIL
A100 SCALE: 3/4" = 1'-0"



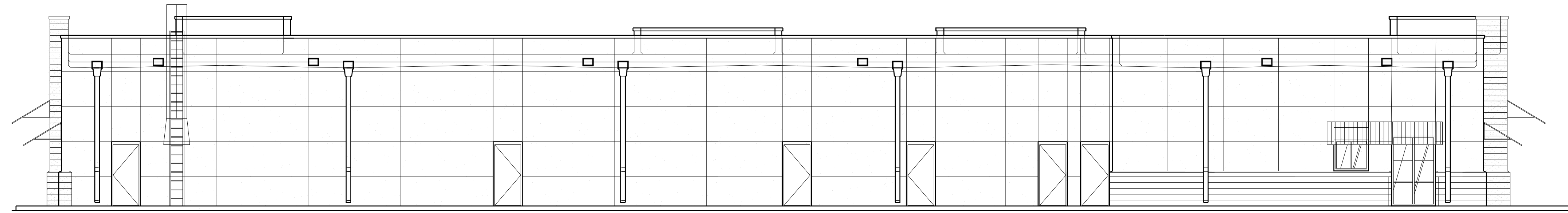
6 SIDEWALK CONT. JT. DETAIL
A100 SCALE: 3/4" = 1'-0"



2 DRIVE RAMP DETAIL
A100 SCALE: 3/4" = 1'-0"



3 SIDEWALK DETAIL
A100 SCALE: 3/4" = 1'-0"

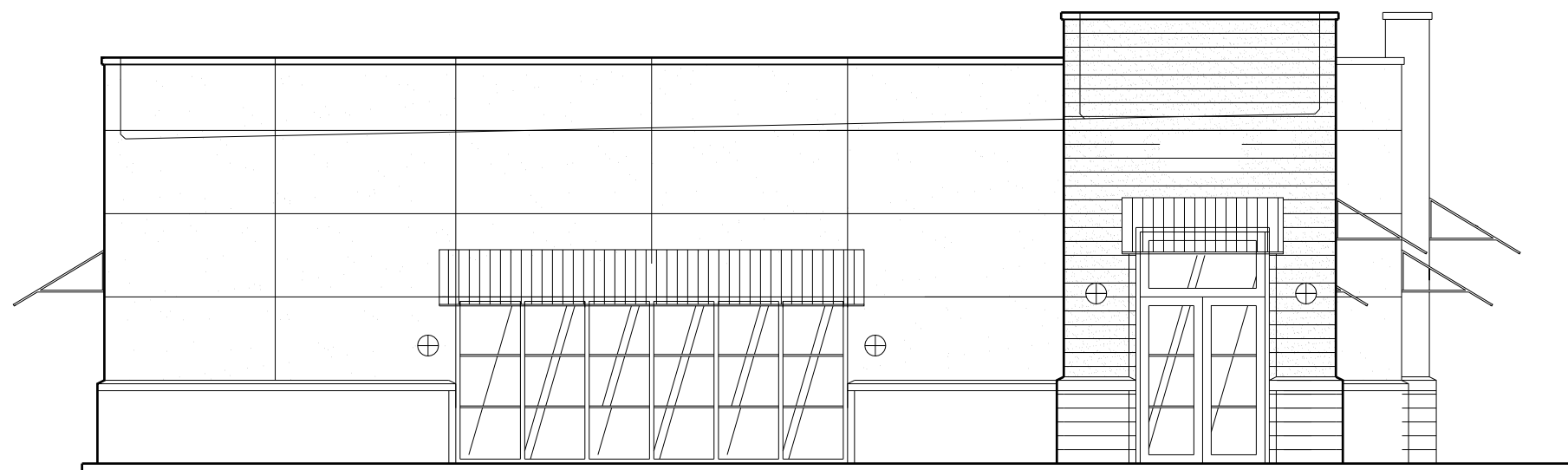


4 SOUTH ELEVATION
A200 SCALE: 1/8" = 1'-0"



3 WEST ELEVATION
A200 SCALE: 1/8" = 1'-0"

2 SOUTH ELEVATION
A200 SCALE: 1/8" = 1'-0"

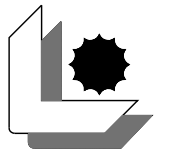


1 WEST ELEVATION
A200 SCALE: 1/8" = 1'-0"

VergesRome
Architects

320 N. Carrollton Avenue, Suite 100
New Orleans, Louisiana 70119
t. 504.488.7739 f. 504.488.7743

www.VergesRome.com
© copyright 2006



LAURICELLA LAND
COMPANY, L.L.C.

CONTACT: LOUIS V. LAURICELLA
DIRECTOR OF DEVELOPMENT
(504) 733-1800

909 S. CLEARVIEW PARKWAY
LAURICELLA LAND CO., LLC

HARRAHAN, LOUISIANA

CLEARVIEW PARKWAY

DATE ISSUED: 30-JUNE-2007
REVISD: 28 DEC 2007
REVISD:
REVISD:
REVISD:
DRAWN BY: PLT,SCP
CHECKED BY: CEV
PHASE:

CONSTRUCTION
DOCUMENTS

06006-E

TITLE:
BUILDING
ELEVATIONS

SHEET:
A200